

## Floor standing coat-hanger

**Frame:** elliptic aluminium tube with die-cast aluminium base in powder coated finish.  
Umbrella ring with removable water-collector and hanger in thermoplastic material.  
Version in white finish may have hooks in ivory, anthracite or aluminium as per customer's choice.



**Awards:**  
Adi Design Index

## Wall mounted coat hanger with 4 hooks,

max load Kg.15 – length 60 cm.  
Terminal elements and hooks in thermoplastic material.

**Frame** in aluminium tube in powder coated finish.  
Version in white finish may have hooks in ivory, anthracite or aluminium as per customer's choice.



	Article	pcs / dimensions volume / gross weight product net weight
<b>Floor standing coat-hanger</b>	E300SP	1 pc / 41x41x176 cm 0,30 m3 / 16 Kg
<b>Floor standing coat-hanger with umbrella's ring</b>	E300SP P	1 pc / 41x41x176 cm 0,30 m3 / 16,2 Kg
<b>Wall-mounted coat hanger with 4 hooks length 60 cm</b>	E300AP	4 pc / 65x20x20 cm 0,03 m3 / 4,5 Kg 1 Kg

## Finishes

### Frame



## Note

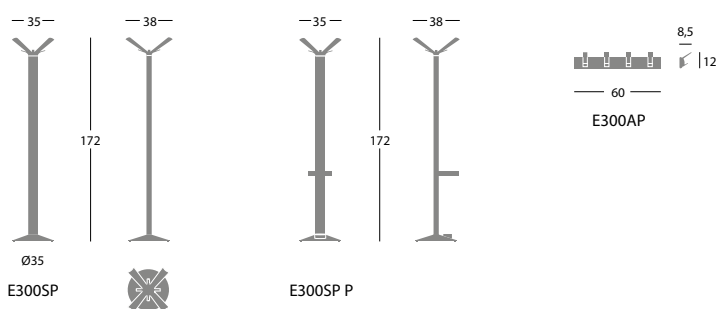
Art. E300AP Max loading capacity for each hook kg.15

## Additional costs

Bicoloured version: frame/hangers  
E300SP / E300SP M

Bicoloured version: frame/hangers/  
umbrella's ring E300SP P

## Dimensions



# ELLIPSE

Bartoli Design / 2001



Trolley coat hanger with 24 hooks or with  
1 shelf and hooks or with 2 shelves on  
castors

**Frame:** steel in powder coated finish

Terminal element and 24 hooks (applied on both  
sides of the bar) in thermoplastic material (for  
art. E300SER2/E300SRC)

**Bar:** aluminium tube.

**Shelves:** powder coated perforated steel  
luggage rack and hat rack (for art. E300SRC -  
E300SRG).

Version in white finish may have hooks in ivory,  
anthracite or aluminium as per customer's  
choice.



	Article	pcs / dimensions volume / gross weight product net weight
<b>Trolley coat hanger on wheels with 24 hooks</b>	E300SR 2	1 pc / 16x16x192 cm 1 pc / 62x9x186 cm 0,15 m <sup>3</sup> / 16 Kg
<b>Trolley coat hanger on wheels with top shelf and 24 hooks</b>	E300SR C	1 pc / 16x16x196 cm 1 pc / 62x9x186 cm 0,15 m <sup>3</sup> / 25 Kg
<b>Trolley dress hanger on wheels with 2 shelves</b>	E300SR G	1 pc / 16x16x192 cm 1 pc / 50x15x176 cm 0,18 m <sup>3</sup> / 34 Kg

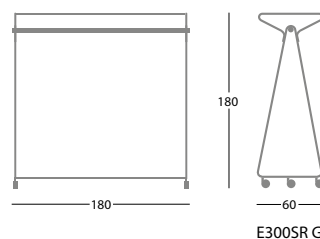
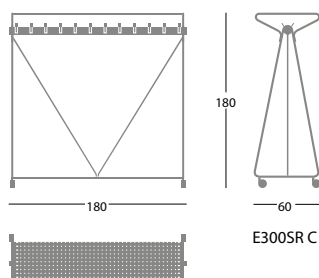
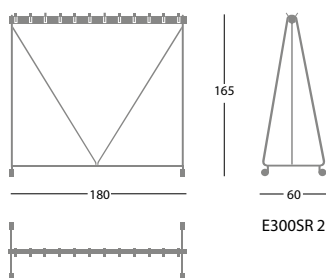
## Finishes

Frame



11 46 18 68

## Dimensions



# ELLIPSE

Bartoli Design / 2001

DELIGHT

Containing elements available  
in H. 37 cm

**Frame:** steel in powder coated finish  
Water collector and gaskets in anthracite self-extinguishing ABS.  
Differentiated waste disposal container in polystyrene.  
Bin line inner bag holder in powder coated steel.



**Awards:**  
Adi Design Index



	Article	pcs / dimensions volume / gross weight product net weight
<b>Low wastepaper basket</b>	E400GB	1 pc / 38x25,5x39,5 cm 0,04 m <sup>3</sup> / 3 Kg
<b>Differentiated waste container</b>	E400RD	Packed together with E400GB
<b>Water collector</b>	ME400PVVAS	Packed together with E400GB
<b>Bin liner support</b>	E400RI330 H.33 cm for Art. E400GB	Packed together with E400GB

## Finishes

Frame



11

46

18

68

## Dimensions



E400GB

E400RD

# ELLIPSE

Bartoli Design / 2001



Ashtray with sand-collector and waste paper basket.

Frame: steel in powder coated finish.  
Chromed sand-tray.

The upper funnel-shaped part is self-extinguishing; in case of fire it stops the oxygen exchange and inhibits flame propagation.

Gaskets in anthracite self-extinguishing ABS.

Bin liner inner bag holder in powder coated steel.



Awards:  
Adi Design Index



	Article	pcs / dimensions volume / gross weight product net weight
<b>Ashtray with sand-collector and waste paper basket</b>	E400PG chromed top plate	1 pc / 38x25,5x69,5 cm 0,07 m3 / 5,4 Kg
<b>Bin liner support</b>	E400RI330 H.33 CM for art. E400PG	Packed together with E400PG

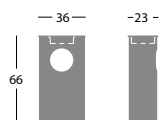
## Finishes

Frame



11 46 18 68

## Dimensions



E400PG